



BT834 1

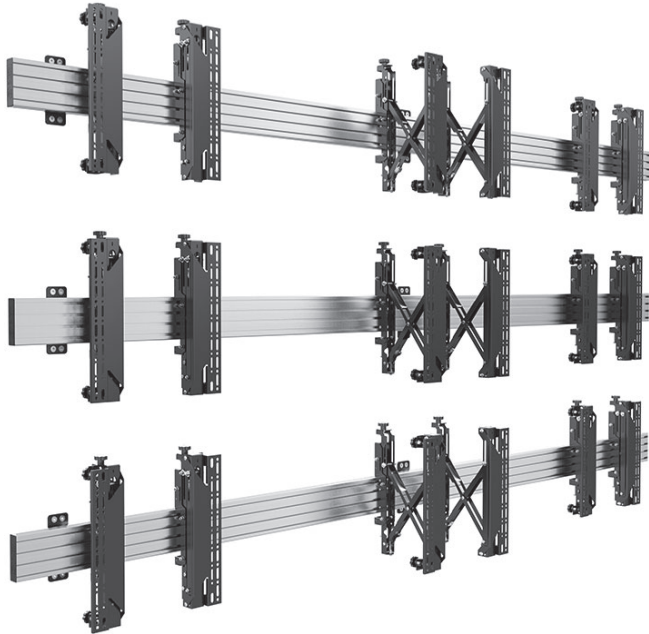
SYSTEM **X**[™]

UNIVERSAL POP-OUT VIDEOWALL MOUNTING SYSTEM

INSTALLATION GUIDE & PARTS LIST

This Pack Contains 1 Videowall Mounting System

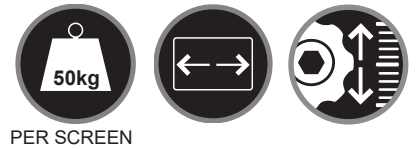
PLEASE KEEP THIS FOR FUTURE REFERENCE



FEATURES

- Modular mounting system designed for screens up to 50kg (110lbs)
- Suitable for landscape or portrait mounting (minimum screen size is 39" when used in landscape orientation)
- Push to open / push to close system provides quick and easy service access
- Depth to wall: 104mm
- Tool-less micro-adjustment including lateral adjustment for seamless alignment of the screen display
- Height adjustment +/- 25mm
- Depth adjustment +/- 10mm
- Safety screws help prevent unauthorised removal of screens
- Includes an optional pop-out prevention mechanism
- All mounting hardware included

Configurations may differ from the ones shown in this installation manual



PER SCREEN

CONTENTS

Installation Safety Notes.....2

Parts List.....4

Installation Notes.....6

Installation Instructions.....8

Product Dimensions.....18

B-Tech Contact Details.....20

INSTALLATION TOOLS REQUIRED

Crosshead screwdriver



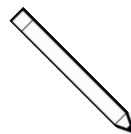
Drill



10mm (7/16") masonry bit or 6mm (1/4") wood bit



Pencil



Level



Stud finder (optional)



B-TECH AV MOUNTS

www.btechavmounts.com

INSTALLATION SAFETY INSTRUCTIONS



CAUTION: This mount is intended for use only with the maximum weights indicated. Use with flat screens heavier than the maximum indicated may result in instability causing possible injury.

Do not attempt to install this product until all instructions and warnings have been read and properly understood. Please keep these instructions for future reference.

Please check carefully to make sure there are no missing or defective parts - defective parts must never be used. B-Tech International Limited, its distributors and dealers are not liable or responsible for damage or injury caused by improper installation, improper use or failure to observe these safety instructions. In such cases, all guarantees will expire.

General

B-Tech International Ltd recommends that a professional AV installer or other suitably qualified person install this product. Great care must always be taken during installation as most AV equipment is of a fragile nature, possibly heavy and easily damaged if dropped.

If you do not fully understand the instructions or are not sure how to install this product safely, then please consult a professional for advice and/or to install this product for you. Failure to mount this product correctly may cause serious injury or death both during installation and at any time thereafter.

Do not mount any AV equipment that exceeds the specific weight limit of the product you are installing.

This weight limit will be clearly stated on each product and its packaging and will vary from product to product.

Product location

Please pay careful attention to where this product is located. Check load capacity of wall prior to installation as some walls are not suitable for installation. Designed for indoor use, this mount is suitable for public or home installation. If located in a public or frequently populated area ensure that the product is out of the immediate reach of people. If any AV equipment is to be suspended over the likely path or location of people then great care should be taken to secure all parts of the installation from falling. If you install this product on drywall it must be securely fixed to a wooden stud, concrete block or other permanent structure behind the drywall board. Installing on drywall boards alone will not support the weight of most AV equipment.

When drilling holes in walls it is essential to avoid contact with electrical cables and water or gas pipes contained within. Use of a good quality live wire detector and hidden object locator is therefore recommended. Only drill into structures when you are sure it is safe to do so.

Fixing hardware

It is highly recommended that all wall fixing screws be used where supplied and that the purpose of all other fixing hardware is fully understood. In some cases more AV equipment fixing hardware will be supplied to accommodate different models of equipment and set up configurations.

The installer must be satisfied that any supplied fixing hardware is suitable for each specific installation. If any fixing screws or included hardware are deemed not sufficient for a safe installation then please consult a professional or your local hardware store.

Hazard limitation

When routing cables take advantage of any built in cable management features that the product might provide and ensure that all cables are tidy and secure. Check to see that any moving aspect of the product can do so unhindered by any cabling.

Some products have moving parts and the potential to cause injury through the crushing or trapping of fingers or other body parts.

Particular attention to the nature of moving parts is required especially when assembling installing and adjusting during set up.

Immediately after installations double-check that the work done is safe and secure. Double-check all necessary fixings are present and are of ample tightness.

It is recommended that periodic inspections of the product and its fixing points are made as frequently as possible to ensure that safety is maintained. If in doubt consult a professional AV installer or other suitably qualified person.

CS

Společnost B-Tech International Ltd. doporučuje provést instalaci tohoto produktu prostřednictvím odborného instalátora AV či jinak způsobilé osoby. Společnost B-Tech International Ltd, její distributoři a prodejci nenesou odpovědnost za škody nebo zranění způsobená nevhodnou instalací. Tento výrobek je nutno umístit do vhodné konstrukce a používat jen po uvedené maximální výšce.

DE

B-Tech International Ltd. empfiehlt, dass dieses Produkt durch einen qualifizierten AV-Techniker oder eine andere Person mit geeigneter Qualifikation installiert wird. B-Tech International Ltd, ihre Distributoren und Händler können nicht für durch fehlerhafte Montage verursachte Beschädigung oder Verletzung haftbar bzw. verantwortlich gemacht werden. Dieses Produkt muss auf einen geeigneten Untergrund montiert werden und darf nur bis zum angegebenen Höchstgewicht verwendet werden.

ES

B-Tech International Ltd. recomienda que un instalador de audio y video profesional u otra persona debidamente cualificada instalen este producto. B-Tech International Ltd, sus distribuidores y concesionarios no se hacen cargo ni se responsabilizan de ningún daño o lesión provocados por una instalación inapropiada. Este producto se debe montar en una estructura adecuada y se debe utilizar soportando solamente hasta el peso máximo indicado.

FR

B-Tech International Ltd. recommande de confier l'installation de ce produit à un installateur AV professionnel ou à une autre personne dûment qualifiée. B-Tech International Ltd, ses distributeurs et ses revendeurs ne sauraient être tenus responsables de tout dégât ou de toute blessure résultant d'une installation incorrecte. Ce produit doit être monté sur un support approprié et utilisé dans la limite du poids maximum indiqué.

IT

B-Tech International Ltd. consiglia di affidare l'installazione di questo prodotto a un installatore specializzato o ad altra persona adeguatamente qualificata. B-Tech International Ltd, i suoi distributori e rivenditori non accettano alcuna responsabilità nei riguardi di eventuali danni o infortuni causati da un'errata installazione. Questo prodotto deve essere fissato a una struttura idonea e utilizzato unicamente sino al peso massimo indicato.

NL

B-Tech International Ltd. adviseert om dit product te laten installeren door een professionele AV-instalateur of andere hiervoor gekwalificeerde persoon. B-Tech International Ltd, haar distributeurs en dealers zijn niet aansprakelijk of verantwoordelijk voor schade of letsel die is veroorzaakt door onoordeelkundige installatie. Dit product moet worden gemonteerd aan een geschikte constructie, waarbij het aangegeven maximum gewicht niet mag worden overschreden.

PL

Firma B-Tech International Ltd. zaleca, aby ten produkt był instalowany przez profesjonalnych instalatorów AV lub inny odpowiednio przeszkolony personel. Firma B-Tech International Ltd, jej dystrybutorzy i dealerzy nie ponoszą odpowiedzialności za uszkodzenia lub obrażenia ciała powstałe w wyniku nieprawidłowej instalacji. Niniejszy produkt musi być zamontowany na odpowiedniej powierzchni, a podczas użytkowania nie wolno przekraczać podanego maksymalnego obciążenia.

PT

A B-Tech International Ltd. recomenda que a instalação deste produto seja efectuada por um instalador de AV profissional ou outra pessoa devidamente habilitada. A B-Tech International Ltd. e os seus distribuidores e concessionários não são responsáveis por danos ou lesões causados por uma instalação incorrecta. Este produto tem de ser montado numa estrutura adequada e utilizado somente até ao peso máximo indicado.

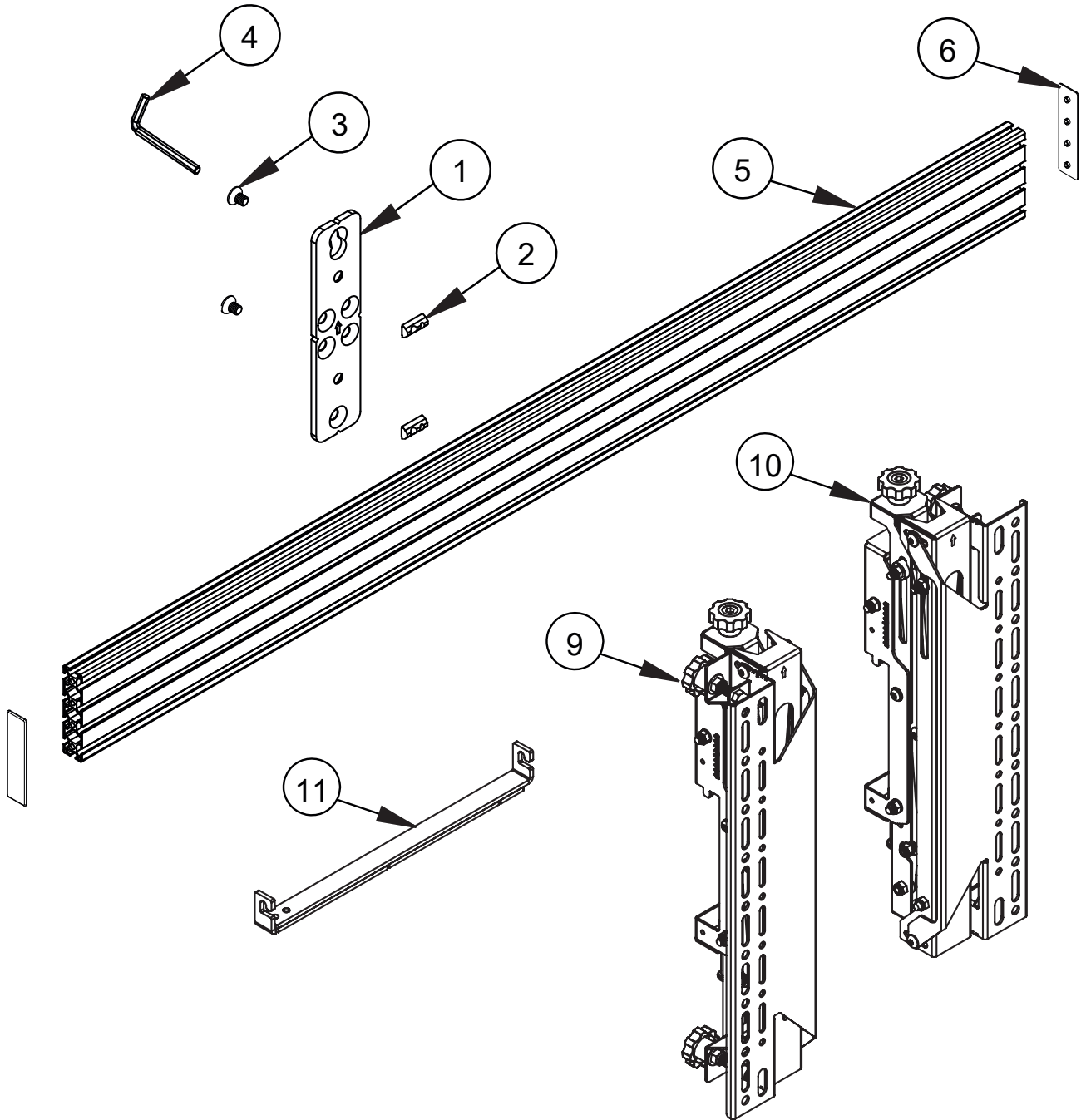
RU

Компания B-Tech International Ltd. рекомендует, чтобы установка данного изделия производилась инженером по установке аудио-видеотехники или другим специалистом с соответствующей квалификацией. Компания B-Tech International Ltd., ее дистрибьюторы и дилеры не несут ответственности за повреждения или травмы, полученные в результате неправильной установки. Данное изделие должно

توصي بي-تك للتجارة الدولية المحدودة بأن شخص محترف في تركيب ال AV او شخص مؤهل تأهيلا مناسباً لتركيب هذا المنتج. بي-تك للتجارة الدولية، موزعيها والتجار ليست عرضة أو مسؤولة عن الأضرار أو الإصابات الناجمة عن تركيب غير سليم، والاستخدام غير السليم أو عدم مراعاة هذه التعليمات للسلامة. يجب أن يتم تركيب هذا المنتج في بنية مناسبة ويجب استخدامه فقط لدعم الحد الأقصى للوزن المشار إليه.

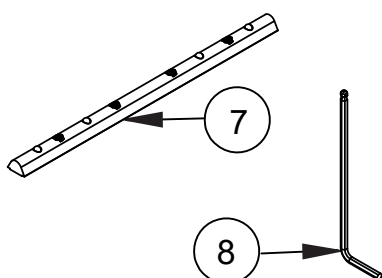
**BT8341
PARTS LIST**

Due to the multiple installations available the quantity for each option below is dependent on the mount ordered.



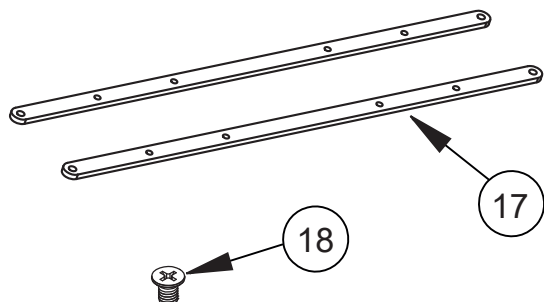
**OPTIONAL
MOUNTING RAIL
EXTENSION KIT**

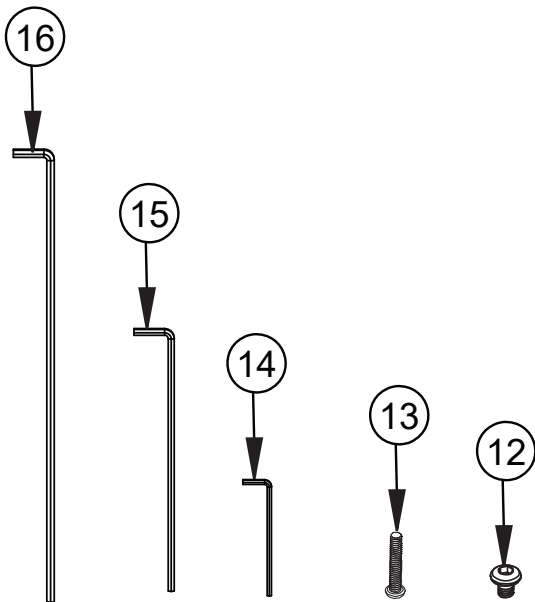
BT8390-EXT



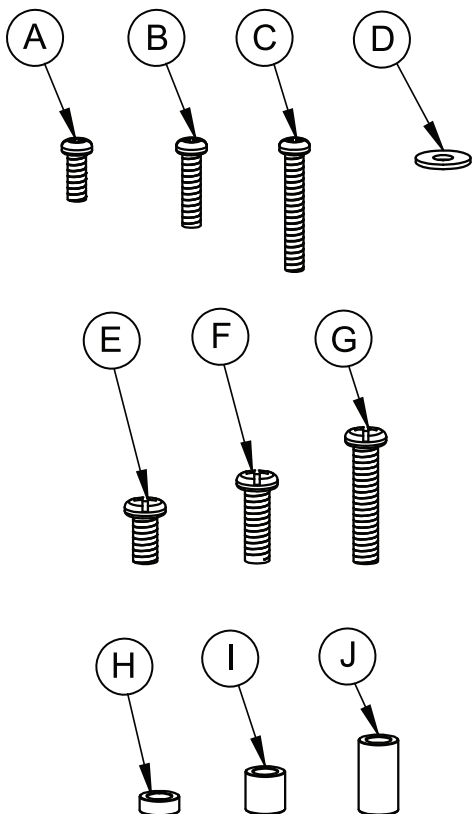
**OPTIONAL
INTERFACE ADAPTOR ARMS**

BT7564 BT7565 BT7566

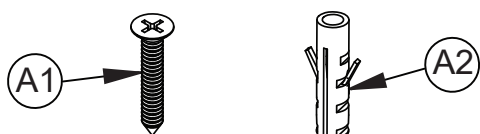




SCREEN FIXING KIT



WALL FIXING KIT



Due to the multiple installations available the total quantity for each part is dependent on the mount ordered.

PLEASE KEEP THIS FOR FUTURE REFERENCE

RAIL FIXING KIT

REF	PART NAME	QTY PER PACK
1	WALL PLATE	1
2	M8 SLIDING NUT	2
3	M8 x 12mm CSK SCREW	6
4	5AF HEX KEY	1

MOUNTING RAIL

REF	PART NAME	QTY PER PACK
5	MOUNTING RAIL	1
6	END CAP	2

EXTENSION KIT (OPTIONAL)

REF	PART NAME	QTY PER PACK
7	JOINING BAR	6
8	3AF HEX KEY	1

SCREEN INTERFACE KIT

REF	PART NAME	QTY PER PACK
9	LEFT INTERFACE ARM	1
10	RIGHT INTERFACE ARM	1
11	ADJUSTABLE BRACE	1
12	M5 x 6mm SCREW	2
13	M6 x 35mm SCREW	2
14	3AF HEX KEY	1
15	4AF HEX KEY	1
16	5AF HEX KEY	1

REF	SCREEN FIXING KIT	QTY PER PACK
A	M6 x 16mm SCREW	4
B	M6 x 25mm SCREW	4
C	M6 x 40mm SCREW	4
D	WASHER	4
E	M8 x 16mm SCREW	4
F	M8 x 25mm SCREW	4
G	M8 x 40mm SCREW	4
H	5mm SPACER	4
I	13mm SPACER	4
J	24mm SPACER	4

INTERFACE ADAPTOR ARMS (OPTIONAL)

REF	PART NAME	QTY PER PACK
17	ADAPTOR ARMS	2
18	M8 x 12mm SCREW	4

WALL FIXING KIT

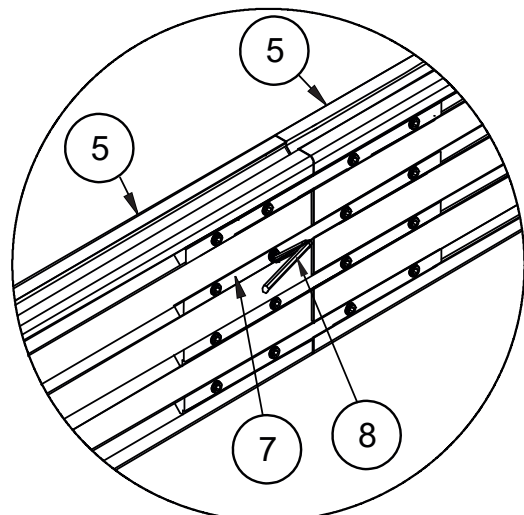
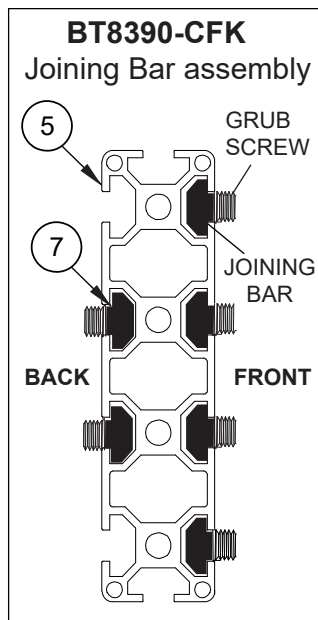
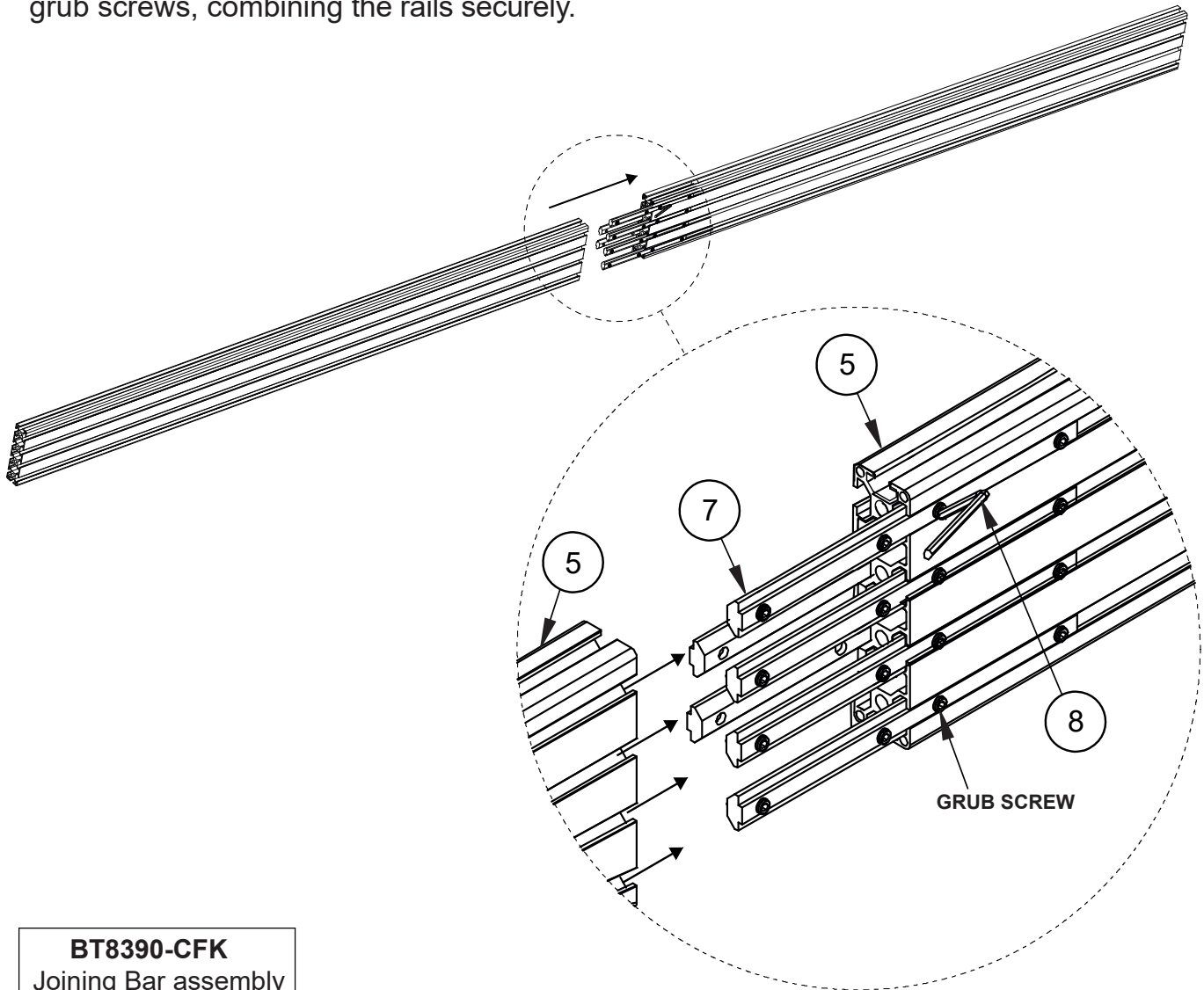
REF	PART NAME	QTY PER PACK
A1	ST8 x 45mm CSK WOOD SCREW	2
A2	Nº.10 WALL PLUG	2

EXTENDING THE MOUNTING RAIL

To extend the length of the Menu Board, use the BT8390-EXT to combine mounting rails

Optional: Combining Mounting Rails using the BT8390-EXT

- i. On one side of the mounting rail (part 5) insert 4 x joining bars (part 7) half-way into each slot. On the back side of the rail, insert 2 x joining bars into the middle slots
- ii. Loosely fasten the 2 grub screws on each joining bar fixing it to the mounting rail.
- iii. Slide another mounting rail (part 5) onto the joining bars and tighten all the grub screws, combining the rails securely.

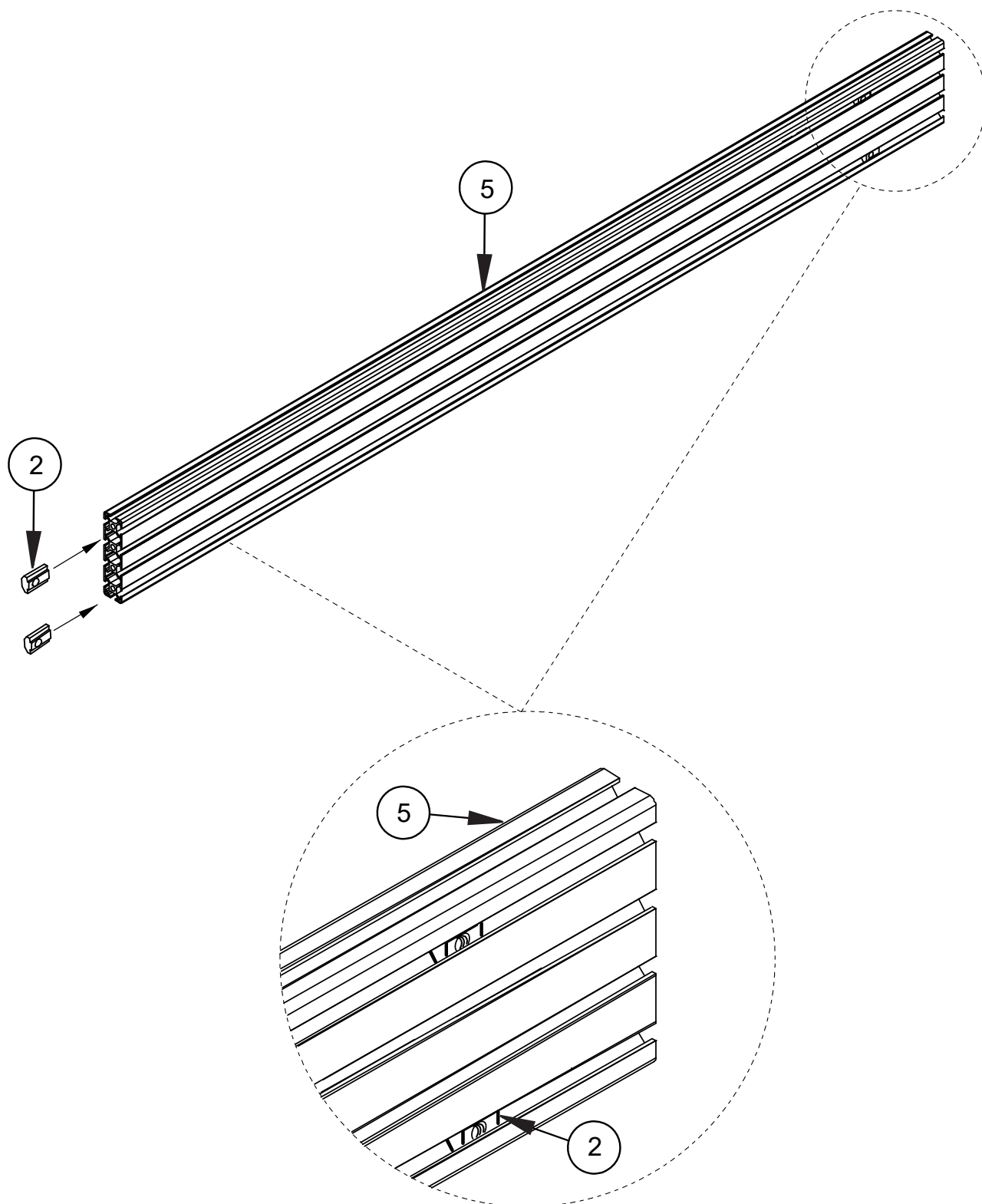


INSTALLATION INSTRUCTIONS

1

Insert Sliding Nuts

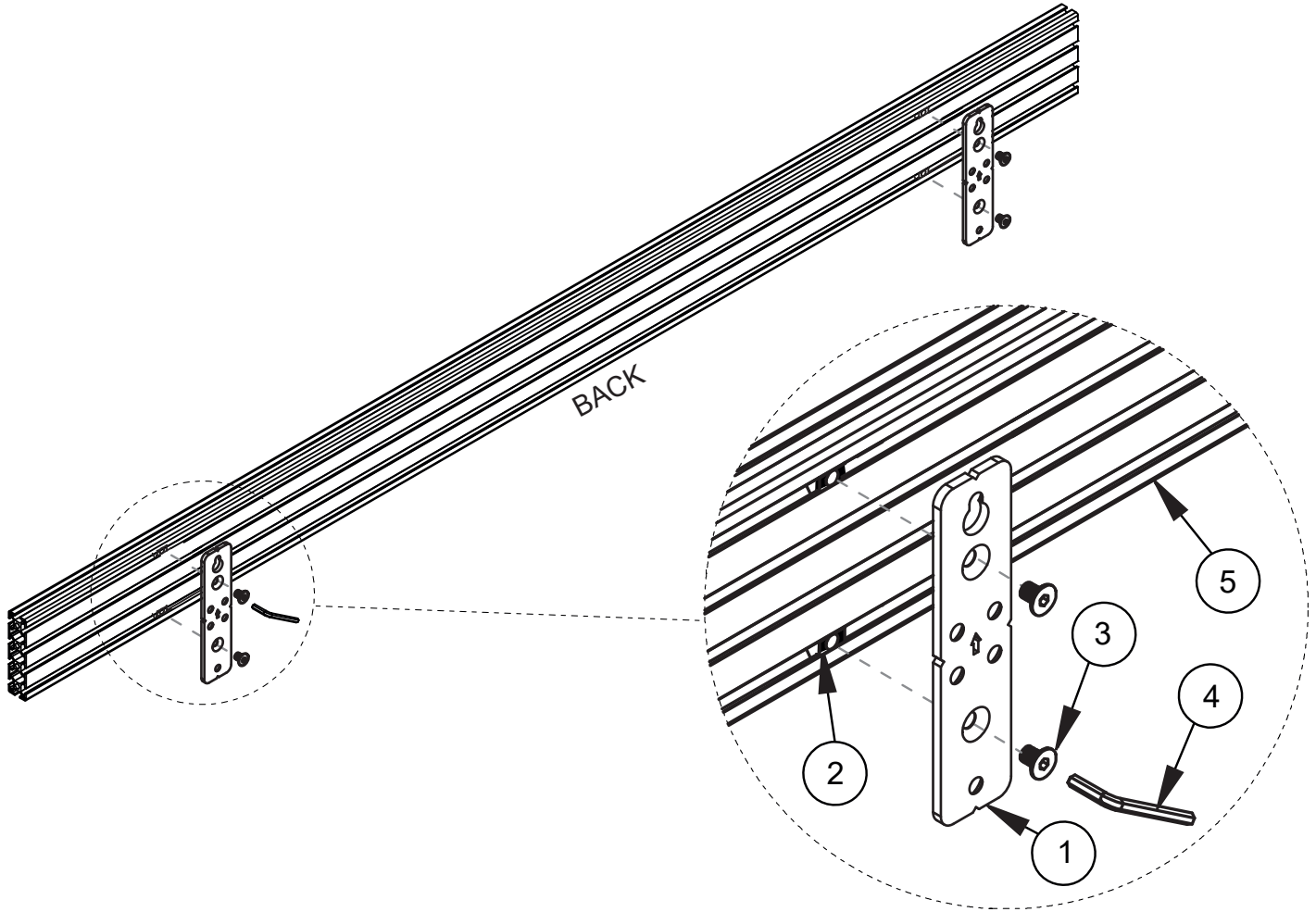
- i. For each wall plate (part 1) used, insert 2 x M8 sliding nuts (part 3) into the mounting rail (part 5). One in the top slot and one in the bottom slot.



BT8390-WFK1 ASSEMBLY

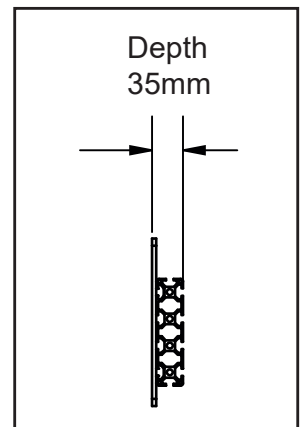
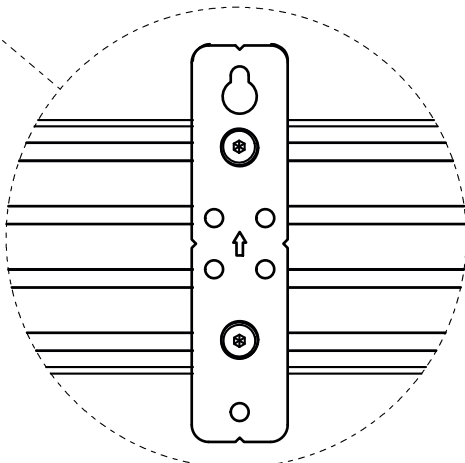
Attach Wall Fixing Kit to Mounting Rail

ii. Attach the wall plate (part 1) to the mounting rail (part 5) by fastening M8 x 12mm screws (part 3) into the inserted M8 sliding nuts (part 2).



Required quantity of Rail Fixing Brackets

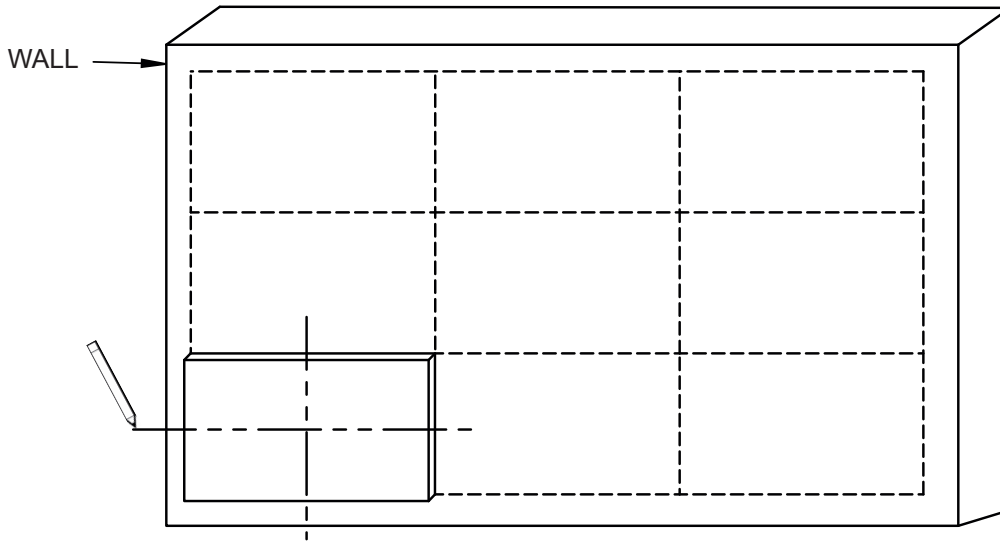
2pcs for 0 - 2000mm
3pcs for 2100mm - 3500mm
4pcs for 3600mm - 6000mm
5pcs for 6100mm - 8000mm
6pcs for 8100mm - 10000mm



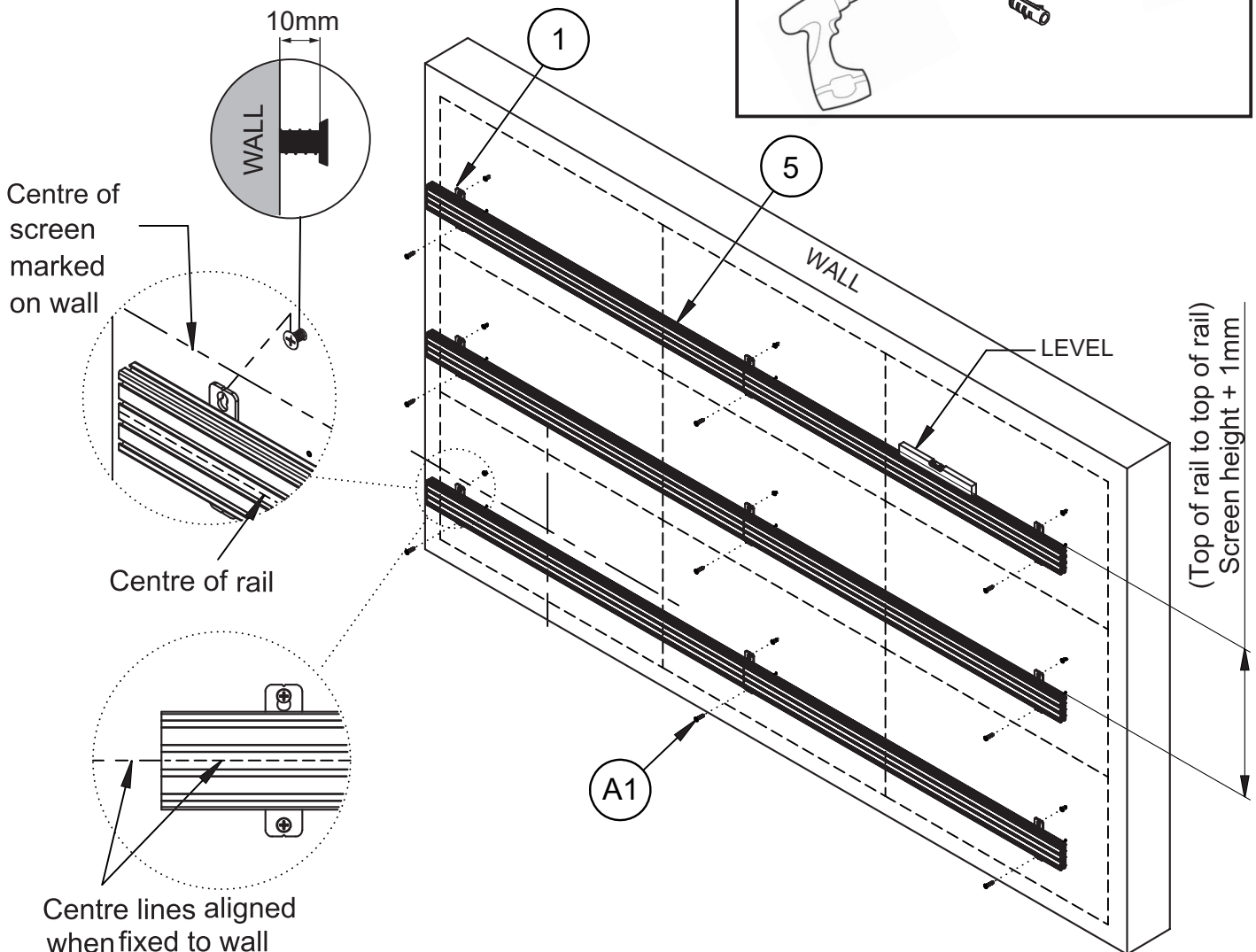
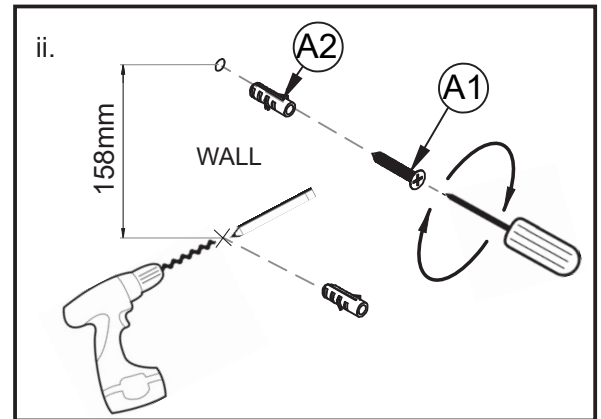
2

Installing the mount

- i. Determine the centre of the first flat screen at the bottom left. Mark the centre, for the centre of the rail.



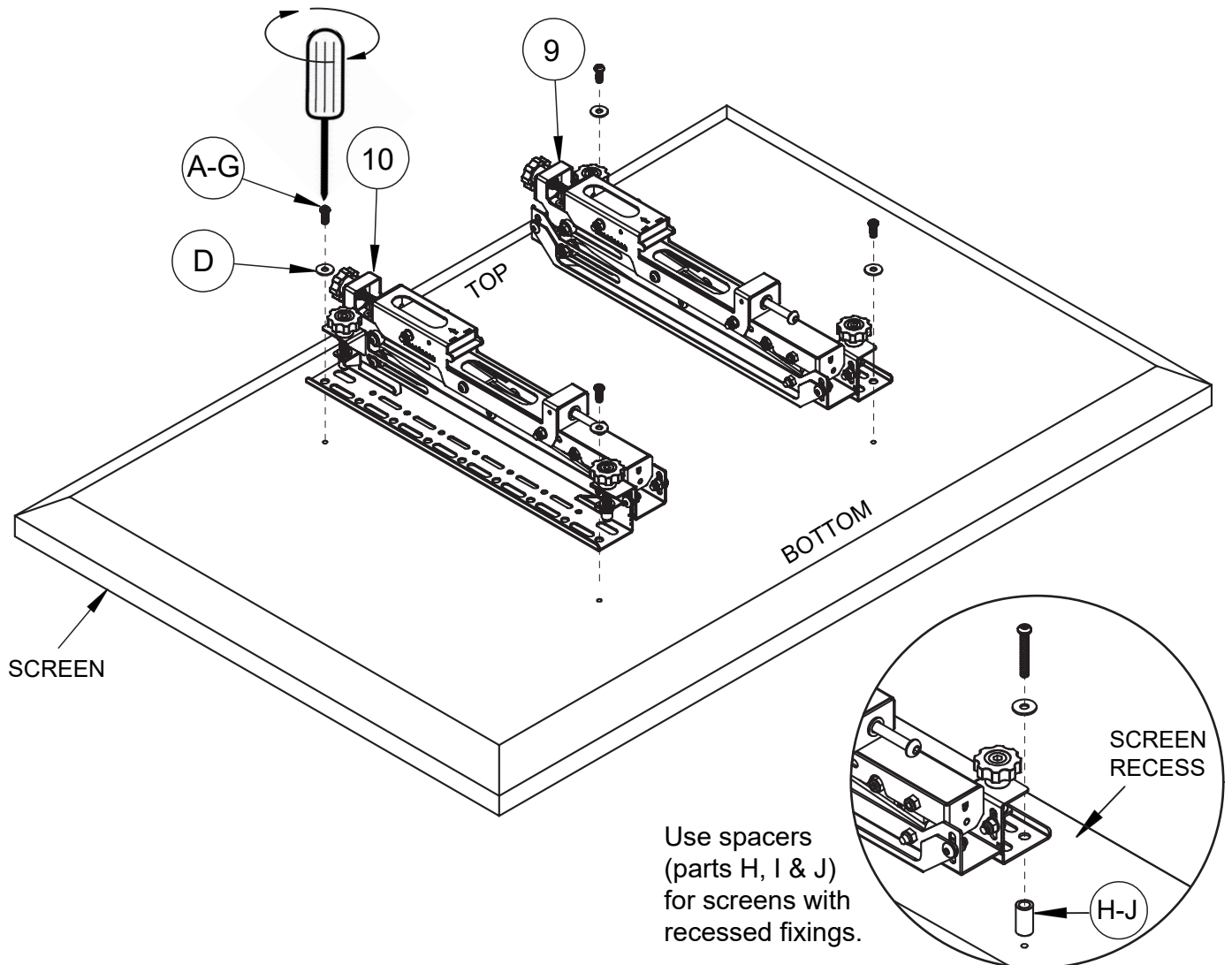
- ii. Mark and drill two fixing holes for each wall plate (part 1) assembled. Insert all wall plugs (part A3) and the top wood screws (part A1). *Do not fully tighten* - Allow a gap (approx. 10mm).
- iii. Hook the wall plate (part A1) on using the keyholes. Once the rail is hooked on, fasten the wood screws (part A2) into the bottom holes and tighten all fixings.



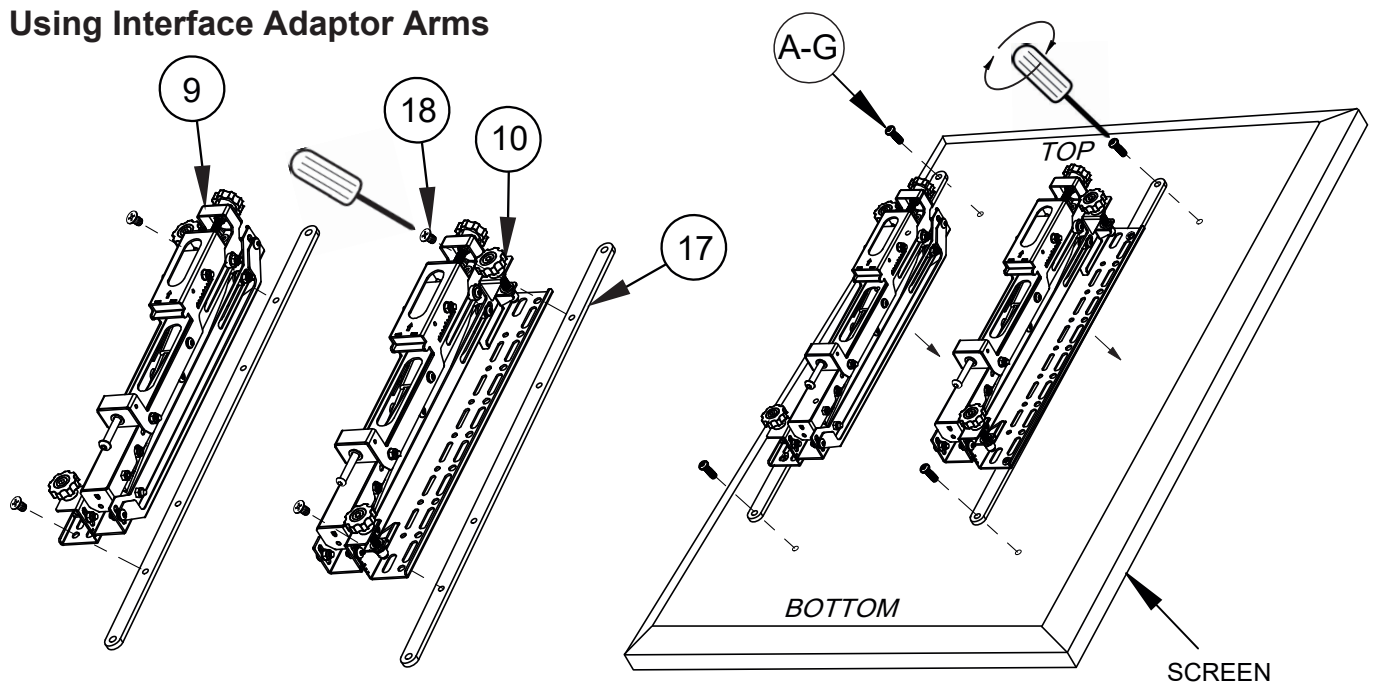
3

Attach Interface Arms to Screen

Fix the interface arms (parts 9 & 10) to the back of the screens using the screen fixing kit (parts A-J). Ensure the arms are positioned the correct way round and the same holes are used on both arms.



Using Interface Adaptor Arms



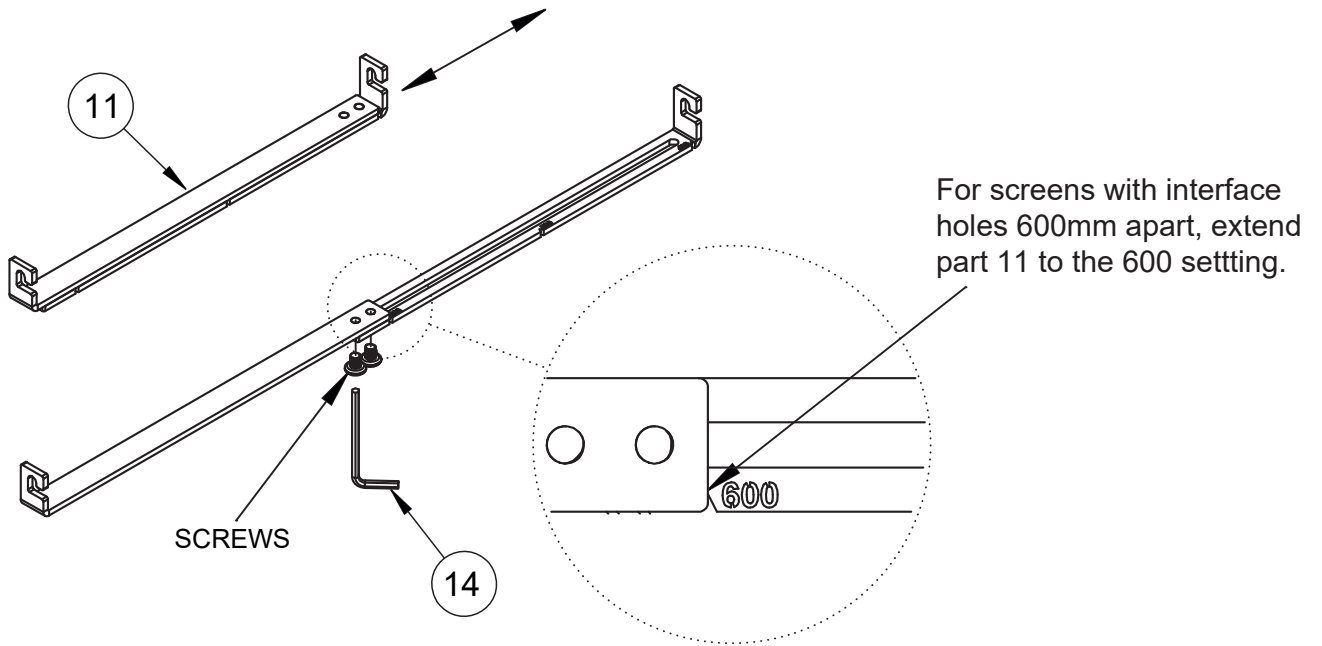
NOTE: Portrait mounting shown.
For landscape mounting attach adaptor arms horizontally

4

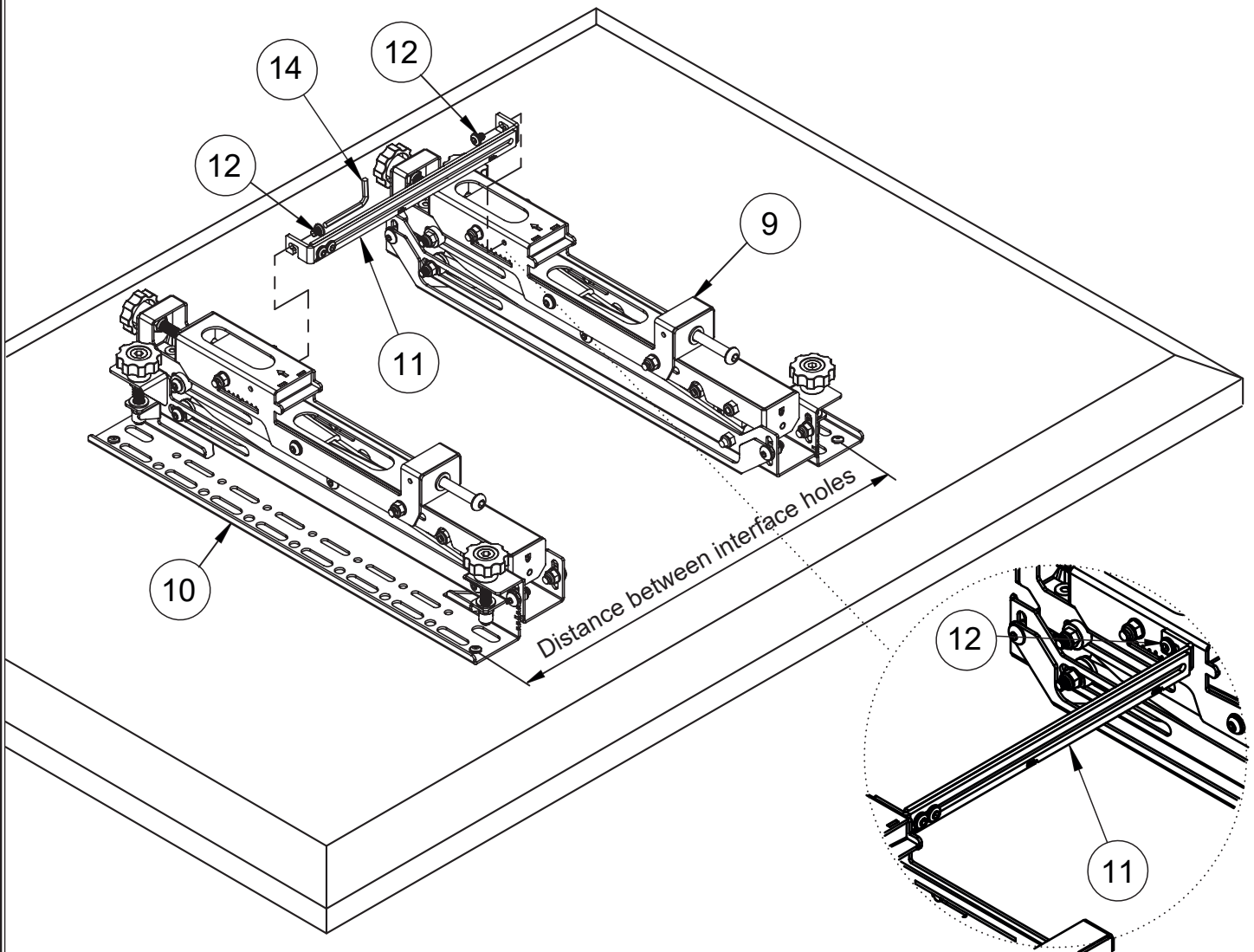
Connect Interface Arms with the Adjustable Brace

Note: Adjustable brace (part 11) is only suitable for horizontal VESA fixings from 400 - 600mm.

- i. Extend the adjustable brace (part 11) and fix at desired length by tightening the 2 screws. The 3 notches show the position for interface fixings at 400mm, 500mm and 600mm.



- ii. Fix the adjustable brace (part 11) to the interface arms (parts 9 & 10) for easy lateral adjustment.

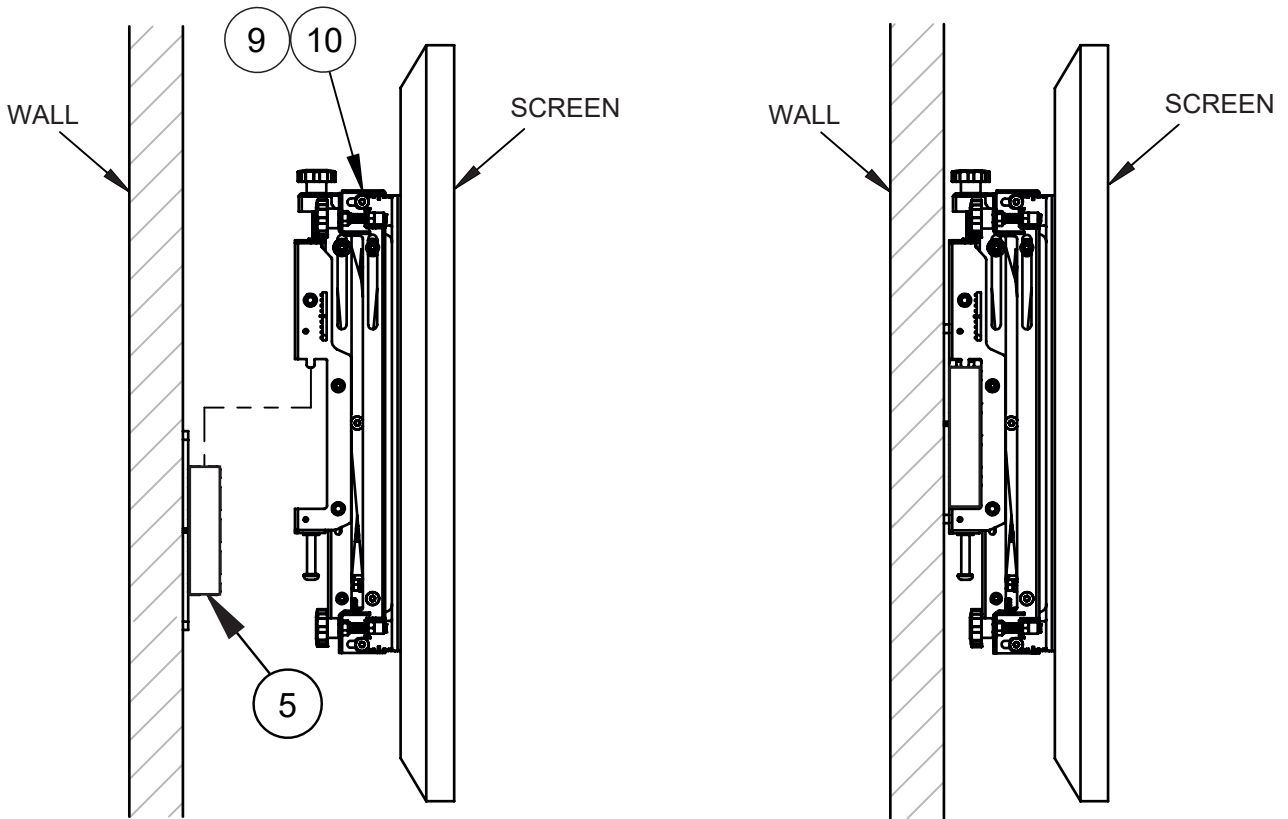


5

Mount Screen onto Rail

Hook interface arms (part 9 & 10) into the top of the mounting rail (part 5).

Note: For videowall installations, start with the bottom left screen position.

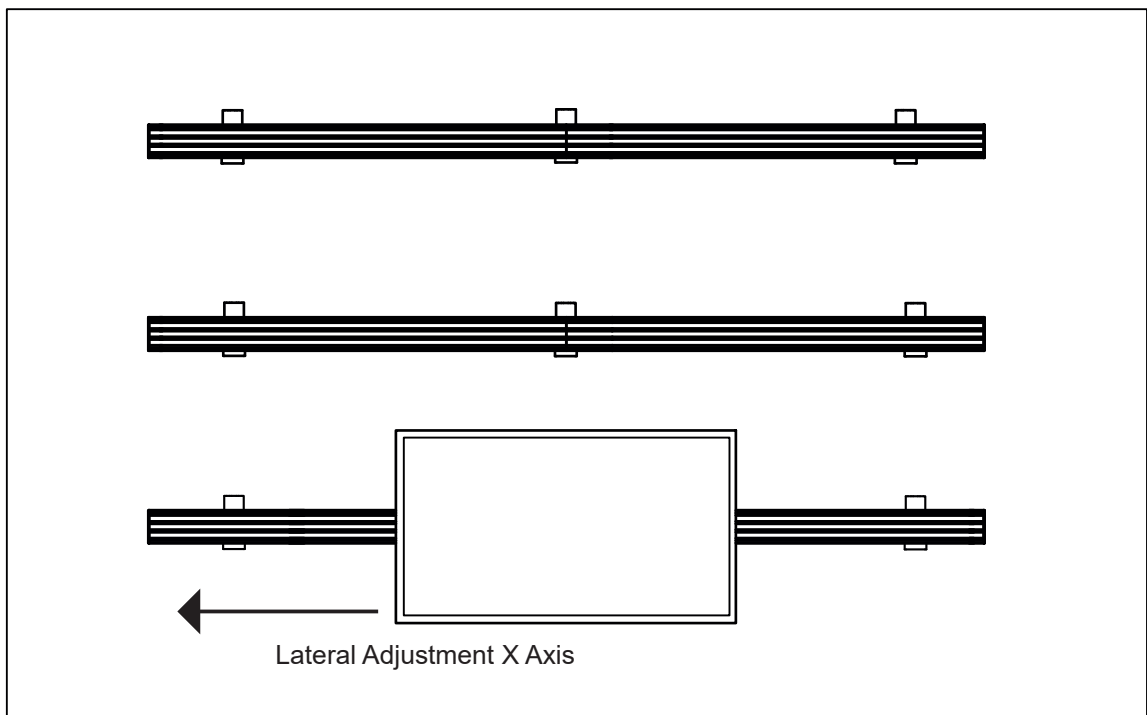


6

Align First Screen

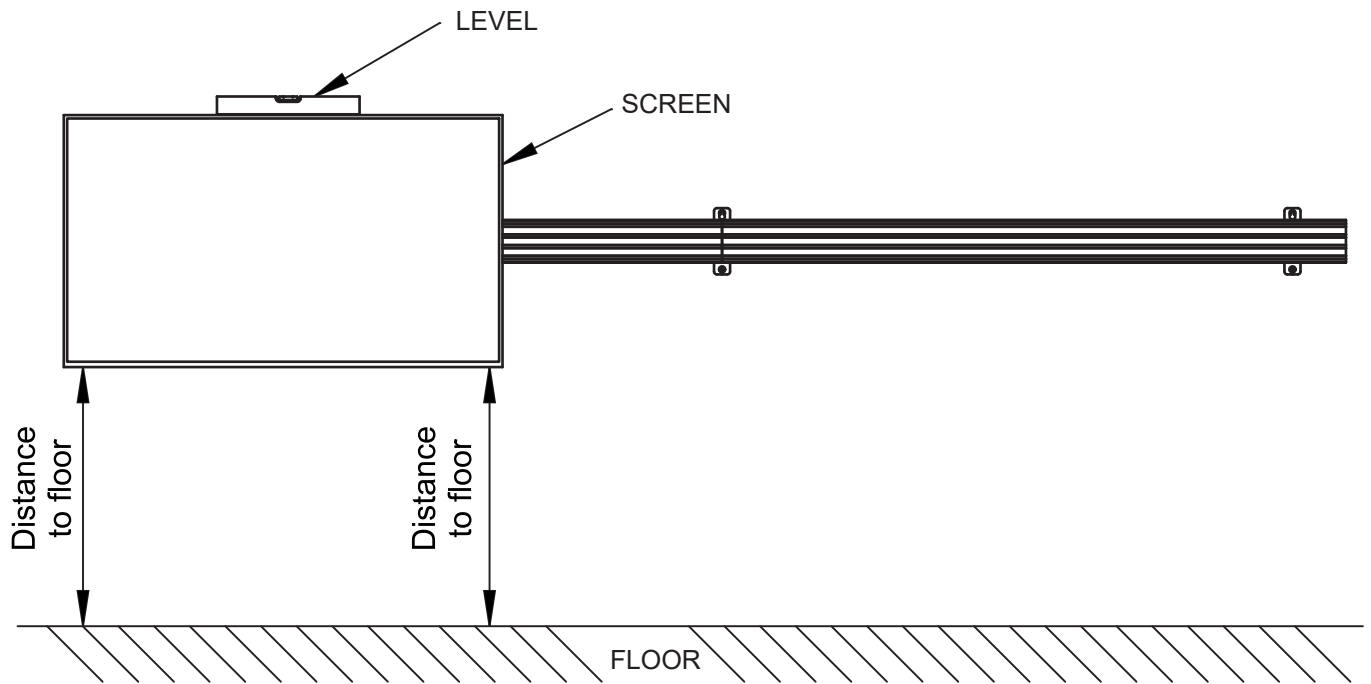
i. Lateral Adjustment

Slide arms along the mounting rail (part 5) to laterally adjust screen to desired position.



ii. Height Adjustment (+/-20mm)

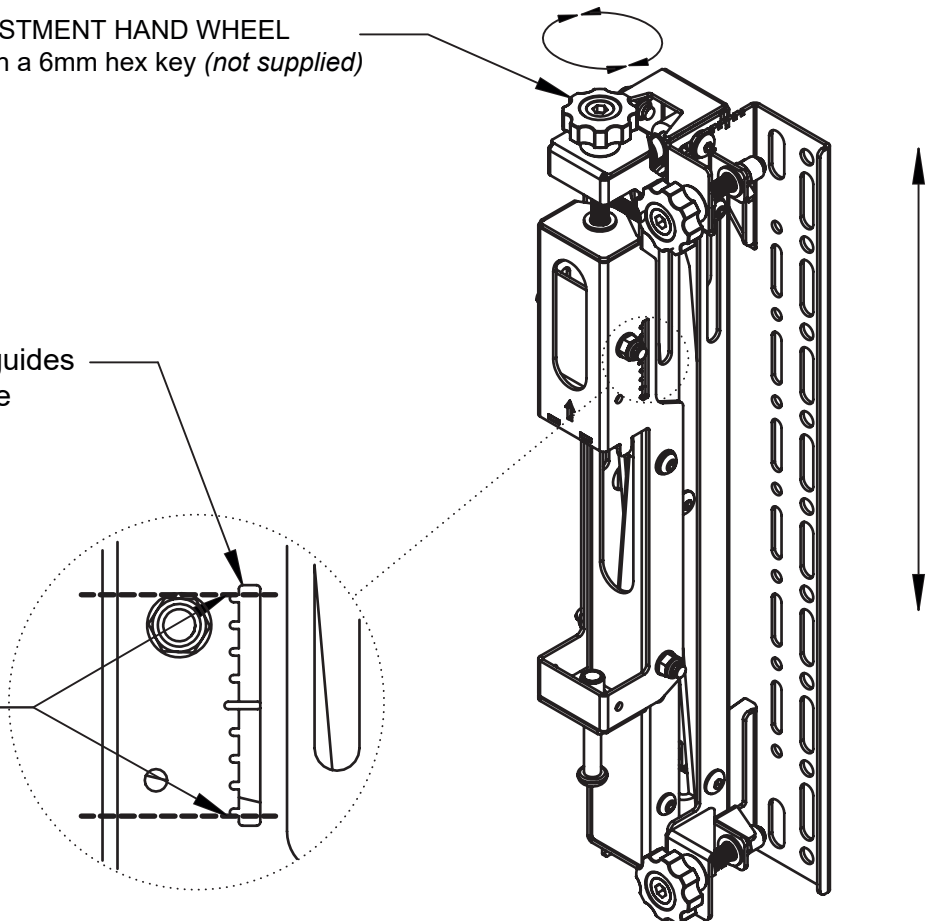
Ensure the screen is level and parallel to floor using the height adjustment hand wheels on the interface arms.



HEIGHT ADJUSTMENT HAND WHEEL
Compatible with a 6mm hex key (*not supplied*)

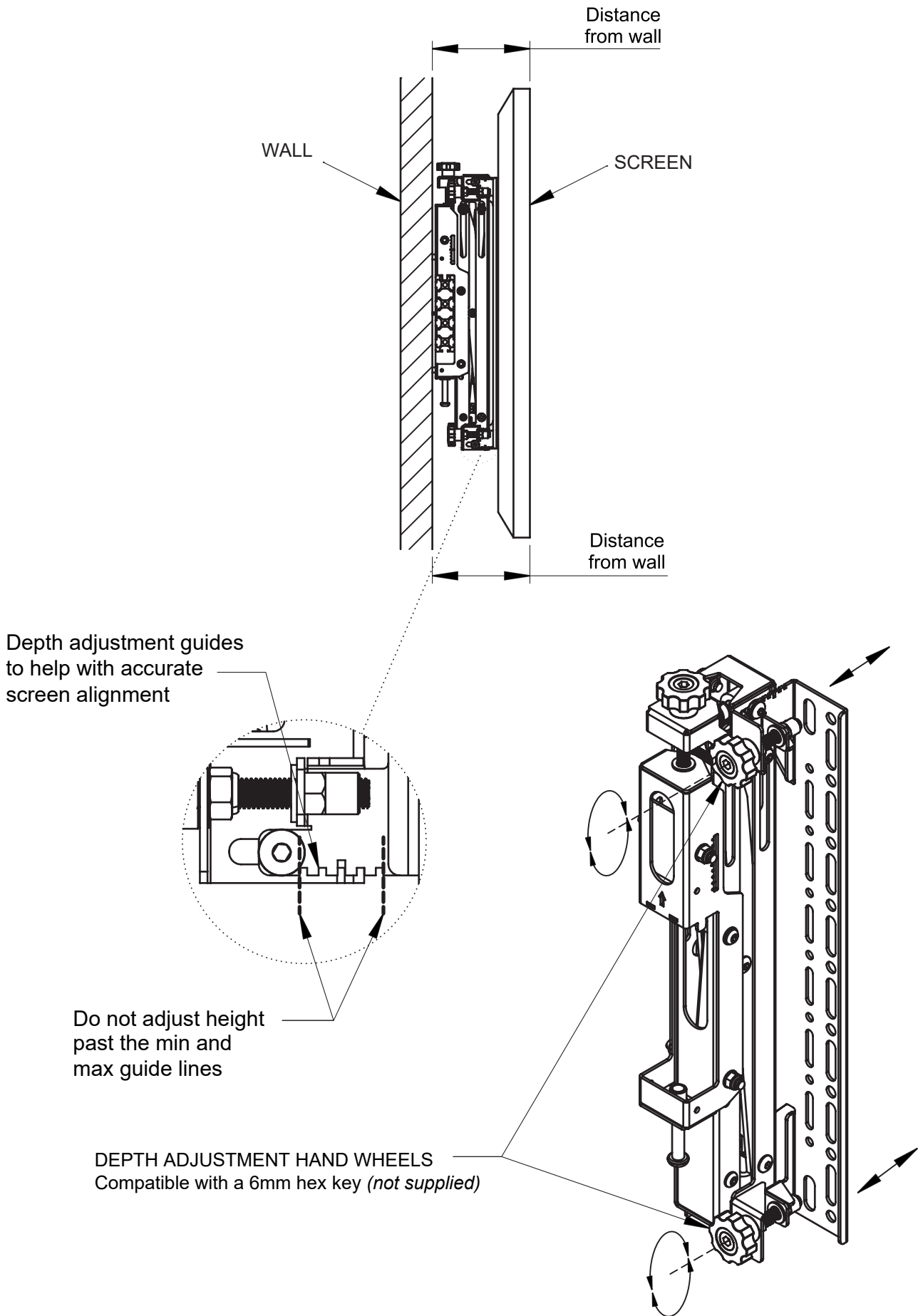
Height adjustment guides
to help with accurate
screen alignment

Do not adjust height
past the min and
max guide lines



iii. Depth Adjustment (+/-10mm)

Ensure the screen corners are equidistant from the wall using the depth adjustment hand wheels on the interface arms.

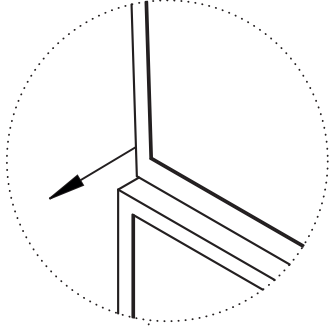


Add Remaining Screens to the Video Wall

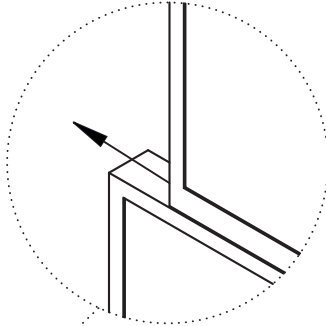
Work across the video wall 1 column at a time. Hook on screens using a plumb to align. Use adjustments to ensure screens are aligned.

Note: A 1mm gap between screens should be maintained.

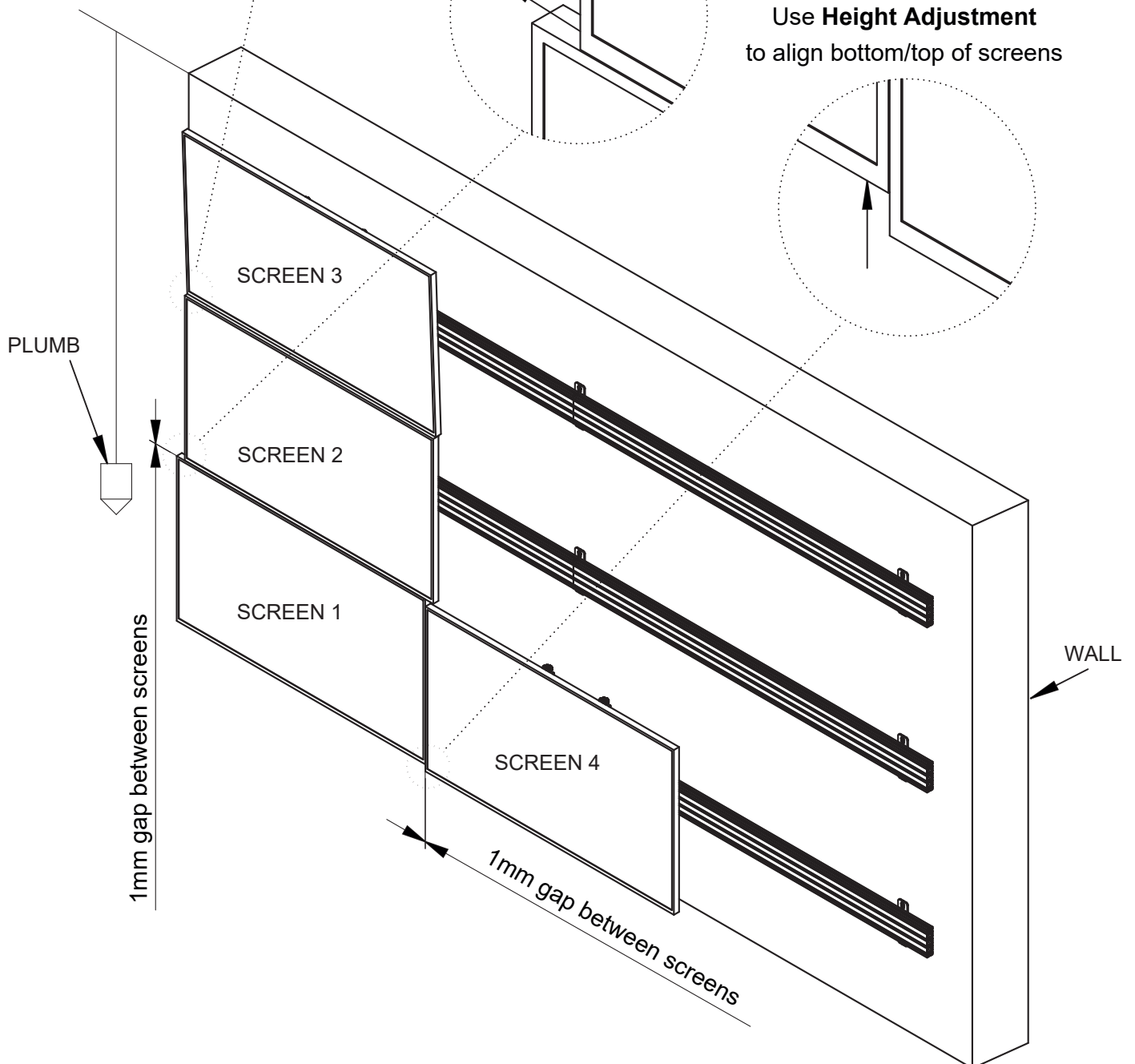
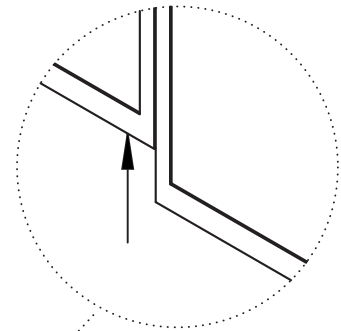
Use **Depth Adjustment**
to align front of screens



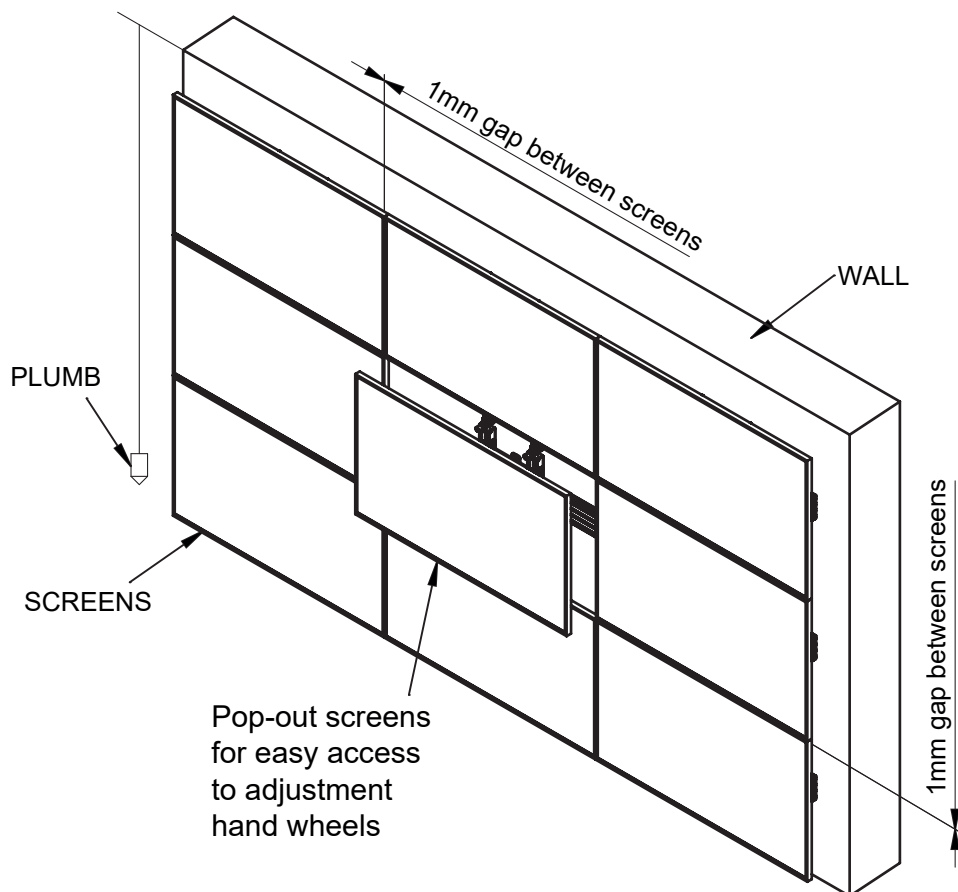
Use **Lateral Adjustment**
to align sides of screens



Use **Height Adjustment**
to align bottom/top of screens



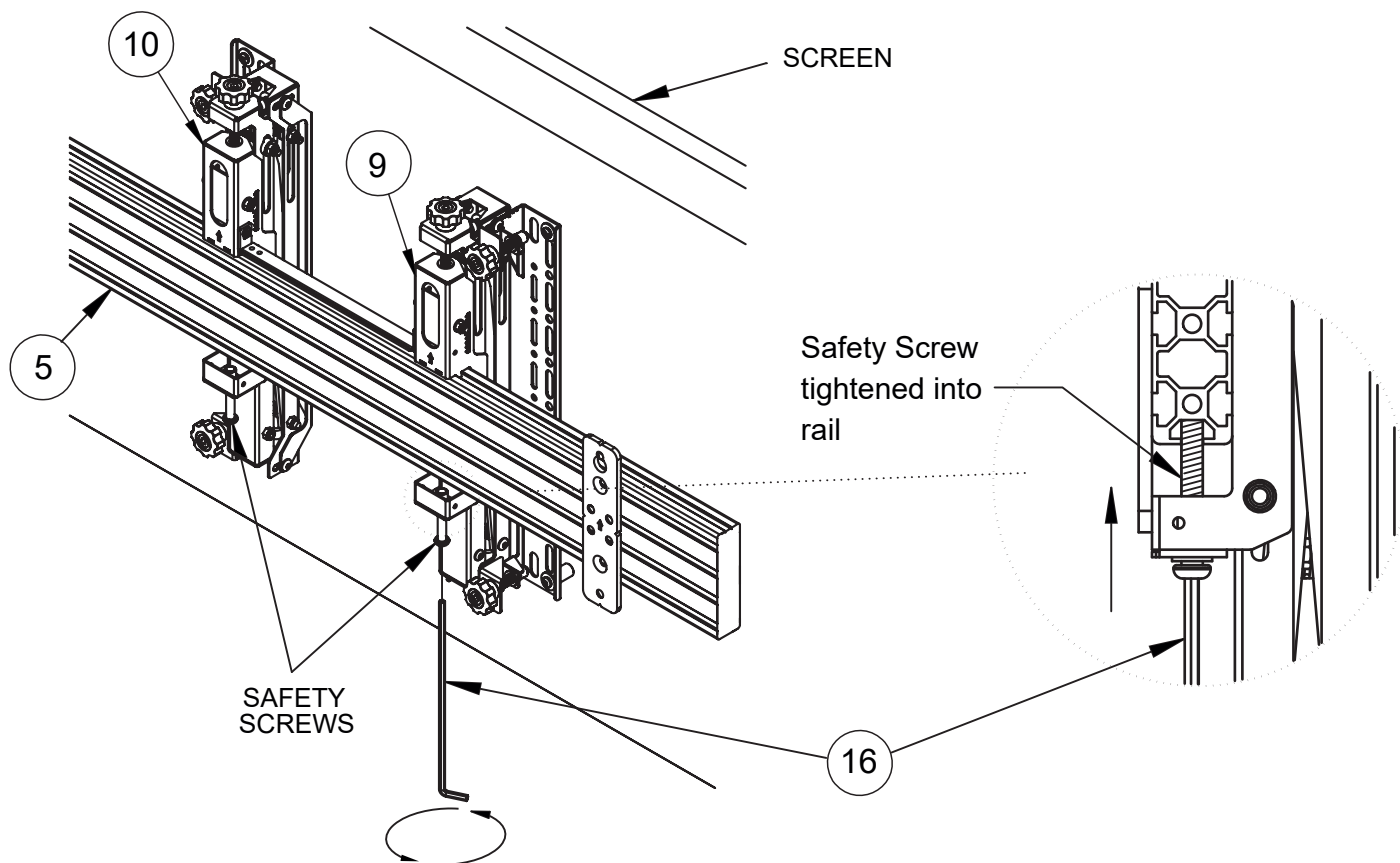
During installation, pop screens out for easy access to adjustment hand wheels (see Step 6). All screen fronts should be flush.



8

Secure Interface Arms to Mounting Rails

Tighten the safety screws on the interface arms (parts 9 & 10) into the mounting rail (part 5).



9

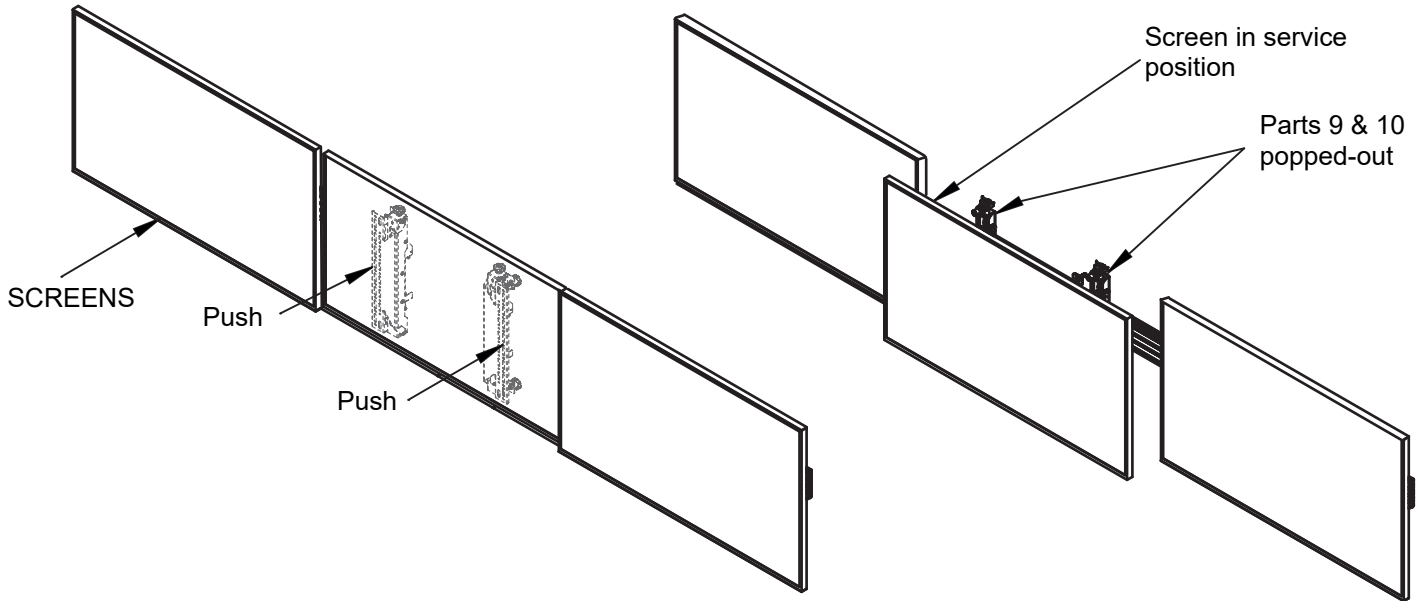
Servicing Screens

Note: Ensure pop-out function is not disabled (see Step 10).

Push centrally at the left and right of the screen to pop-out the mount.

After servicing, push screen back and click into original position.

The screen will rest in the 'open' position for servicing.



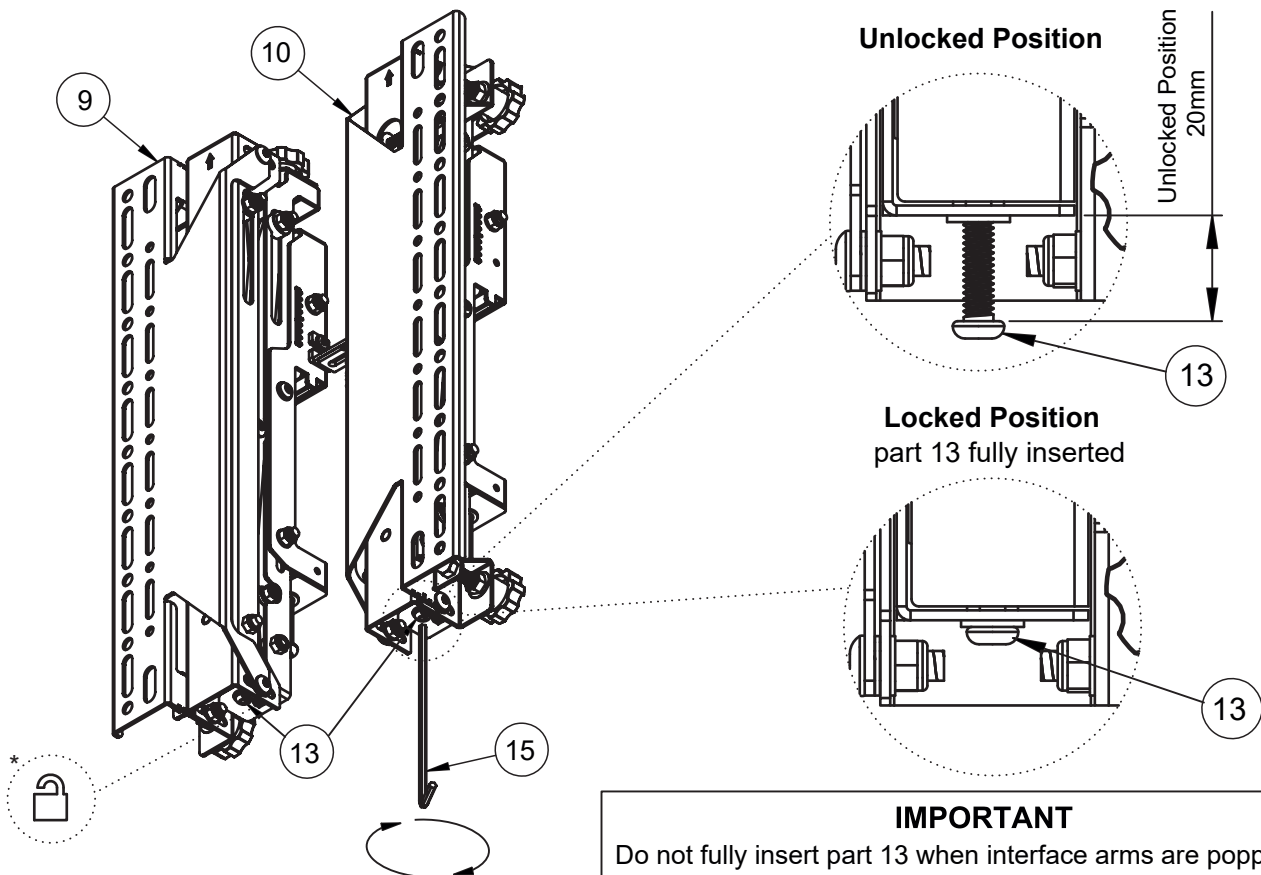
WARNING

Be careful not to damage screen when pushing.
Keep hold of screen as it moves outwards.

10

Disabling Pop-Out Function (optional)

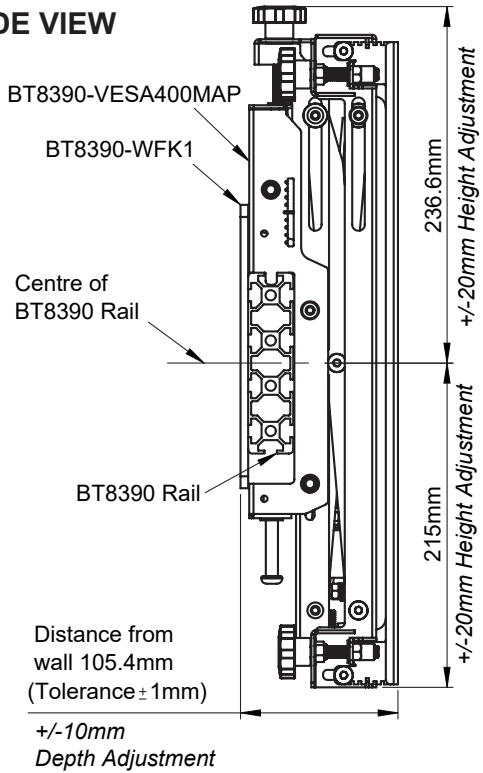
To prevent interface arms from popping out, fully insert and tighten the M6 x 35mm screws (part 13) at the padlock* symbol at the bottom of the interface arms (parts 9 & 10).



BT834 1

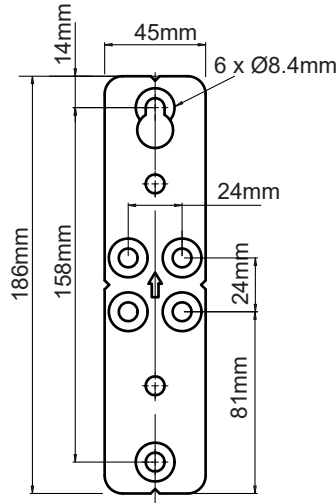
PRODUCT DIMENSIONS

Assembled SIDE VIEW

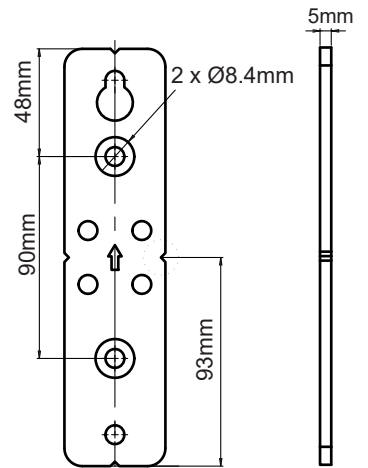


BT8390-WFK 1 Wall Plate

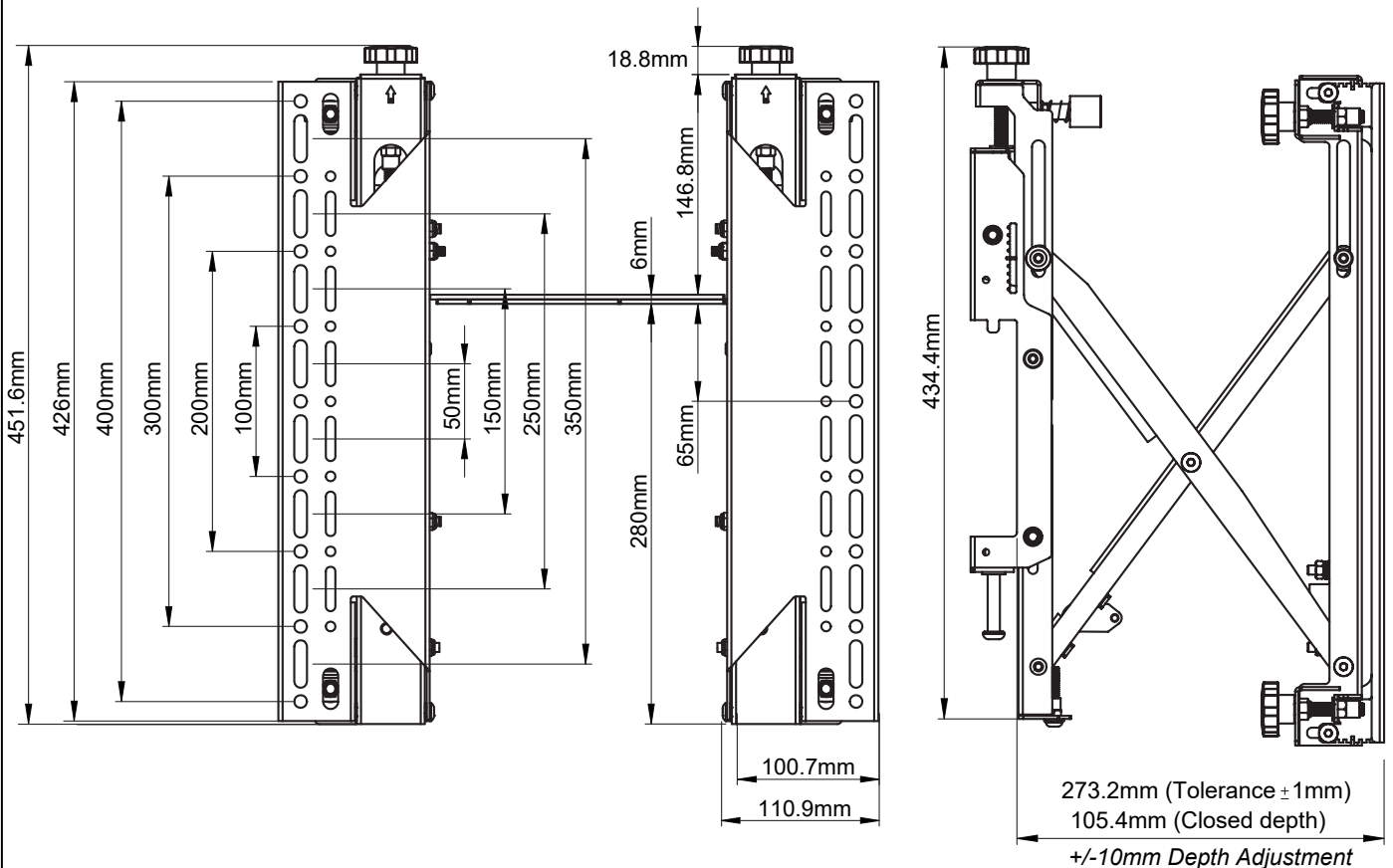
FRONT VIEW



REAR VIEW



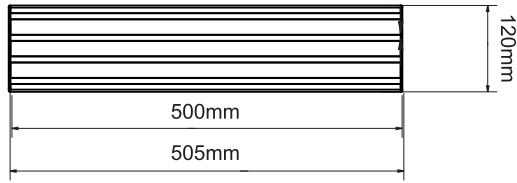
BT8390-VESA400MAP Pop-Out VESA 400mm Interface Arms with Micro-Adjustment



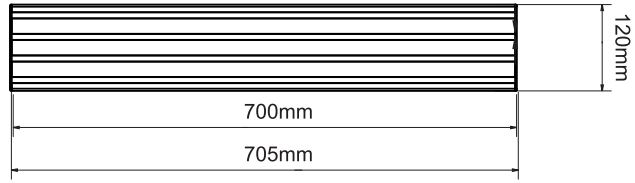
THESE DIMENSIONS ARE INTENDED AS A GUIDE ONLY AND
B-TECH ACCEPTS NO LIABILITY FOR THE ACCURACY OF THE INFORMATION

PRODUCT DIMENSIONS MOUNTING RAILS

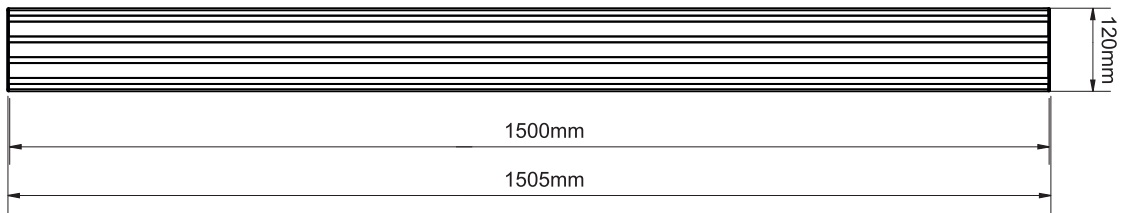
BT8390-050



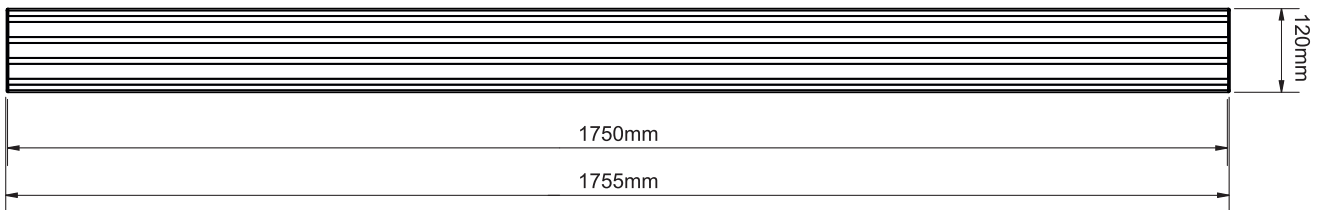
BT8390-070



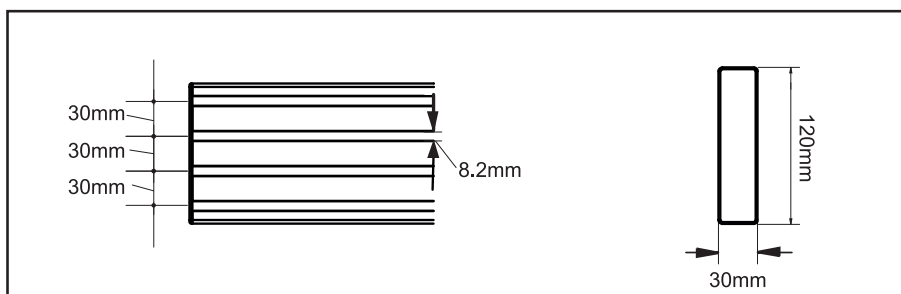
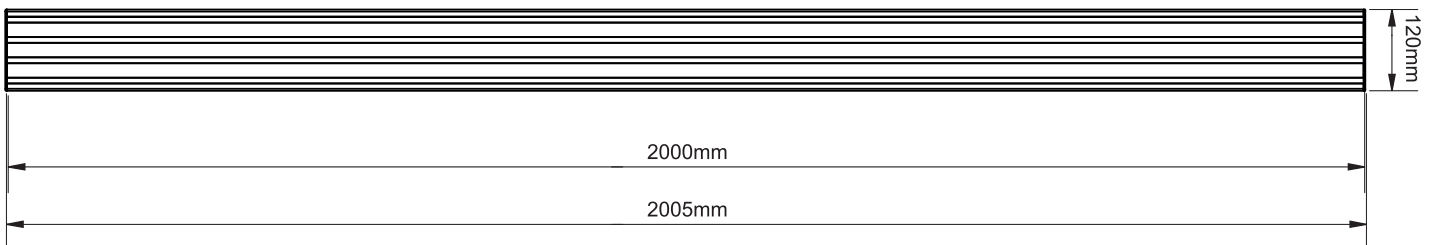
BT8390-150



BT8390-175



BT8390-200





www.btechavmounts.com

B-TECH AV MOUNTS

HEAD OFFICE

B-Tech International Limited

Bennett House, Long March, Daventry, Northants., NN11 4NR, UK

Email: info@btechavmounts.com

©2019 B-Tech International Design and Manufacturing Limited. All rights reserved.

B-Tech AV Mounts is a division of B-Tech International Design & Manufacturing Ltd.

B-Tech, Better By Design & System X are registered trademarks of B-Tech International Design & Manufacturing Ltd.

All other brands and product names are trademarks of their respective owners.

Photographs are for illustrative purposes only. E&OE.

AMA-BT8341-V1.1-0619-BTECH